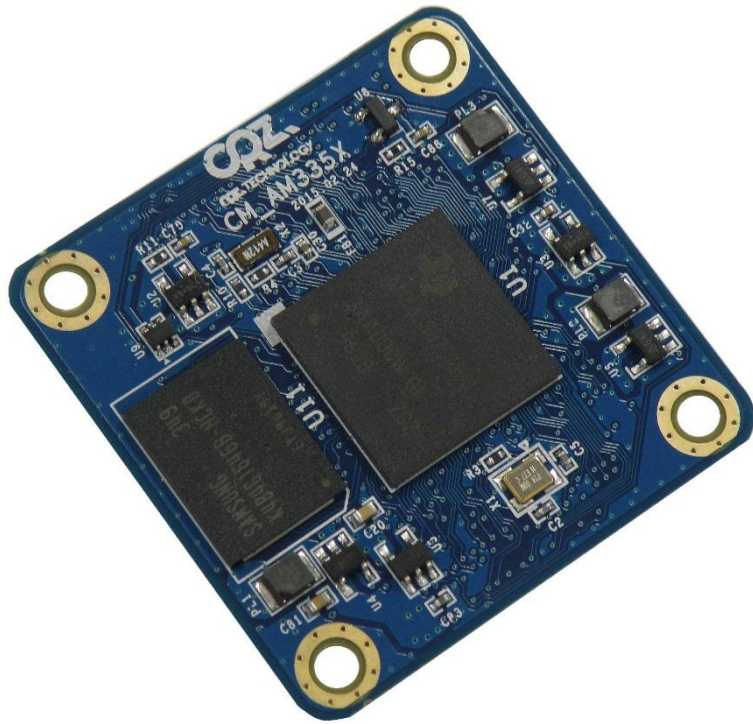
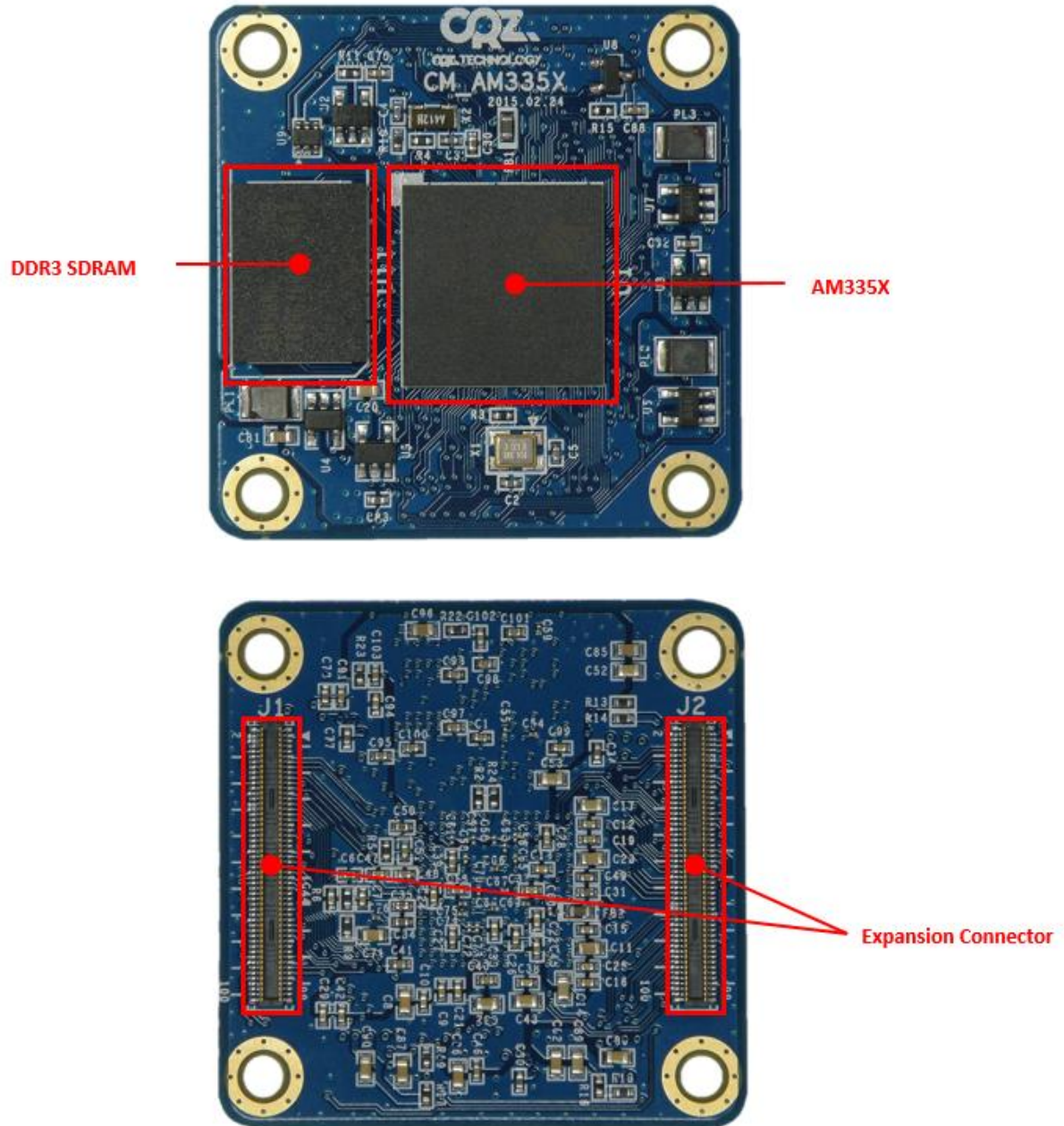


1. CM-AM335X 소개



CM-AM335X 는 TI사에서 출시한 Sitara Cortex™-A8 기반 Processors 인 AM3358를 탑재한 보드입니다. CM-AM335X의 확장 커넥터를 이용하여, AM335X가 지원하는 다양한 기능을 구현 할 수 있습니다.

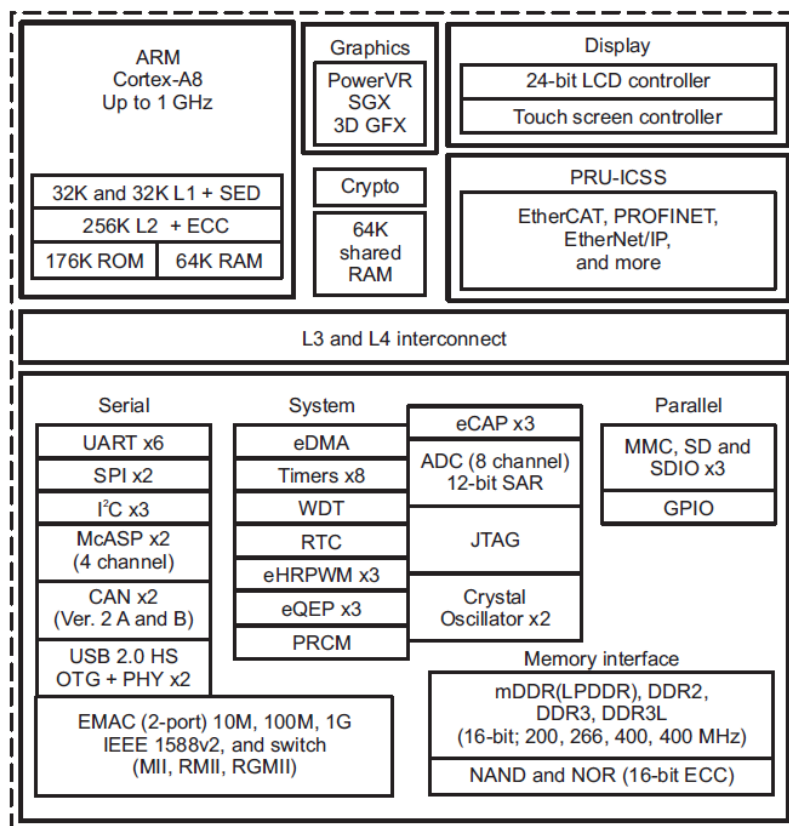
2. 각 파트별 설명



2.1. AM335X

CM-AM335X 보드는 TI사의 AM3358를 탑재하고 있습니다.

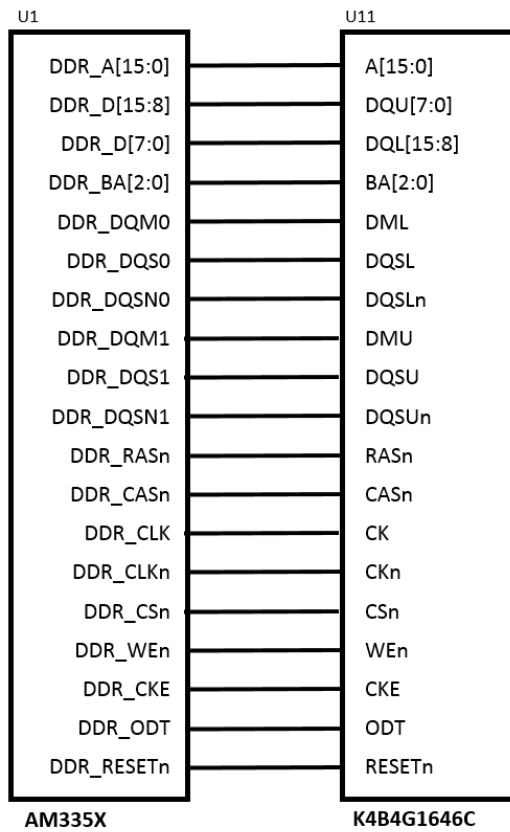
- Up to 1-GHz Sitara™ ARM® Cortex®-A8 32-Bit RISC Processor
- On-Chip Memory (Shared L3 RAM)
- External Memory Interfaces (EMIF)
- Programmable Real-Time Unit Subsystem and Industrial Communication Subsystem (PRU-ICSS)
- USB 2.0 High-Speed OTG Ports
- Multichannel Audio Serial Ports
- MMC, SD, SDIO Ports
- LCD Controller
- Debug Interface Support



2.2. DDR3 SDRAM

CM-AM335X 보드에는 Samsung의 4Gb(512Mbytes) DDR3 SDRAM K4BG1646C 가 탑재되어 있습니다.

SDRAM 아래와 같이 AM335X와 연결되어있습니다.



2.3. Expansion Connector

확장 커넥터를 통하여 CM-AM335x 보드에 장착하여 AM335X 의 다양한 기능을 구현 할 수 있습니다. 확장 커넥터의 핀맵은 다음과 같습니다.

J1

GND	1	2	GND
NRESET_INOUT	3	4	GND
EVENT_INTR0	5	6	GPIO3_14
EVENT_INTR1	7	8	GPIO3_15
GND	9	10	GPIO3_16
AIN0	11	12	GPIO3_17
AIN1	13	14	GPIO3_18
AIN2	15	16	GPIO3_19
AIN3	17	18	GPIO3_20
AIN4	19	20	GPIO3_21
AIN5	21	22	
GND	23	24	GND
GPIO0_2	25	26	OSC_32K_IN
GPIO0_3	27	28	GND
GPIO0_4	29	30	GND
GPIO0_5	31	32	JTAG_TRSTn
GPIO0_6	33	34	JTAG_TMS
GND	35	36	JTAG_TDI
UART0_TXD	37	38	JTAG_TCK
UART0_RXD	39	40	JTAG_TDO
UART0_CTSN	41	42	GPIO3_7
UART0_RTSN	43	44	GPIO3_8
GND	45	46	GND
UART1_TXD	47	48	
UART1_RXD	49	50	
UART1_CTSN	51	52	
UART1_RTSN	53	54	GND
GND	55	56	RGMI11_TXCLK
I2C0_SCL	57	58	RGMI11_TXD0
I2C0_SDA	59	60	RGMI11_TXD1
	61	62	RGMI11_TXD2
	63	64	RGMI11_TXD3
GND	65	66	RGMI11_TXEN
MMC0_CLK	67	68	GPIO3_1
MMC0_CMD	69	70	GPIO3_0
MMC0_DATA0	71	72	GND
MMC0_DATA1	73	74	RGMI11_RXCLK
MMC0_DATA2	75	76	RGMI11_RXD0
MMC0_DATA3	77	78	RGMI11_RXD1
GND	79	80	RGMI11_RXD2
	81	82	RGMI11_RXD3
	83	84	GPIO3_2
GPIO0_7	85	86	RGMI11_RXDV
GND	87	88	GND
NMI_N	89	90	GPIO0_29
EXT_WAKEUP_N	91	92	MDIO_CLK
GND	93	94	MDIO_DATA
	95	96	GND
	97	98	
	99	##	

J2

VIN	1	2	GND
VIN	3	4	LCD_DATA22_G0
VIN	5	6	LCD_DATA19_G1
VIN	7	8	LCD_DATA5_G2
GND	9	10	LCD_DATA6_G3
GND	11	12	LCD_DATA7_G4
VDD_3V3	13	14	LCD_DATA8_G5
	15	16	LCD_DATA9_G6
GND	17	18	LCD_DATA10_G7
PORZ_N	19	20	GND
GND	21	22	LCD_DATA21_R0
	23	24	LCD_DATA18_R1
GND	25	26	LCD_DATA16_R2
GPIO2_1	27	28	LCD_DATA0_R3
GPIO1_29	29	30	LCD_DATA1_R4
GPIO1_30	31	32	LCD_DATA2_R5
GPIO1_31	33	34	LCD_DATA3_R6
GPIO2_0	35	36	LCD_DATA4_R7
GPIO2_4	37	38	GND
GPIO2_3	39	40	LCD_DATA23_B0
GPIO2_2	41	42	LCD_DATA20_B1
GPIO2_5	43	44	LCD_DATA17_B2
GPIO1_28	45	46	LCD_DATA11_B3
GPIO0_30	47	48	LCD_DATA12_B4
GPIO0_31	49	50	LCD_DATA13_B5
GND	51	52	LCD_DATA14_B6
GPIO1_0	53	54	LCD_DATA15_B7
GPIO1_1	55	56	GND
GPIO1_2	57	58	LCD_PCLK
GPIO1_3	59	60	LCD_VSYNC
GPIO1_4	61	62	LCD_HSYNC
GPIO1_5	63	64	LCD_AC_BIAS_EN
GPIO1_6	65	66	GND
GPIO1_7	67	68	GND
GND	69	70	USB0_DP
GPIO1_16	71	72	USB0_DM
GPIO1_17	73	74	GND
GPIO1_18	75	76	USB0_CE
GPIO1_19	77	78	USB0_ID
GPIO1_20	79	80	USB0_DRVVBUS
GPIO1_21	81	82	USB0_VBUS
GPIO1_22	83	84	GND
GPIO1_23	85	86	USB1_DP
GPIO1_24	87	88	USB1_DM
GPIO1_25	89	90	GND
GPIO1_26	91	92	USB1_CE
GPIO1_27	93	94	USB1_ID
GND	95	96	USB1_DRVVBUS
	97	98	USB1_VBUS
	99	##	GND